

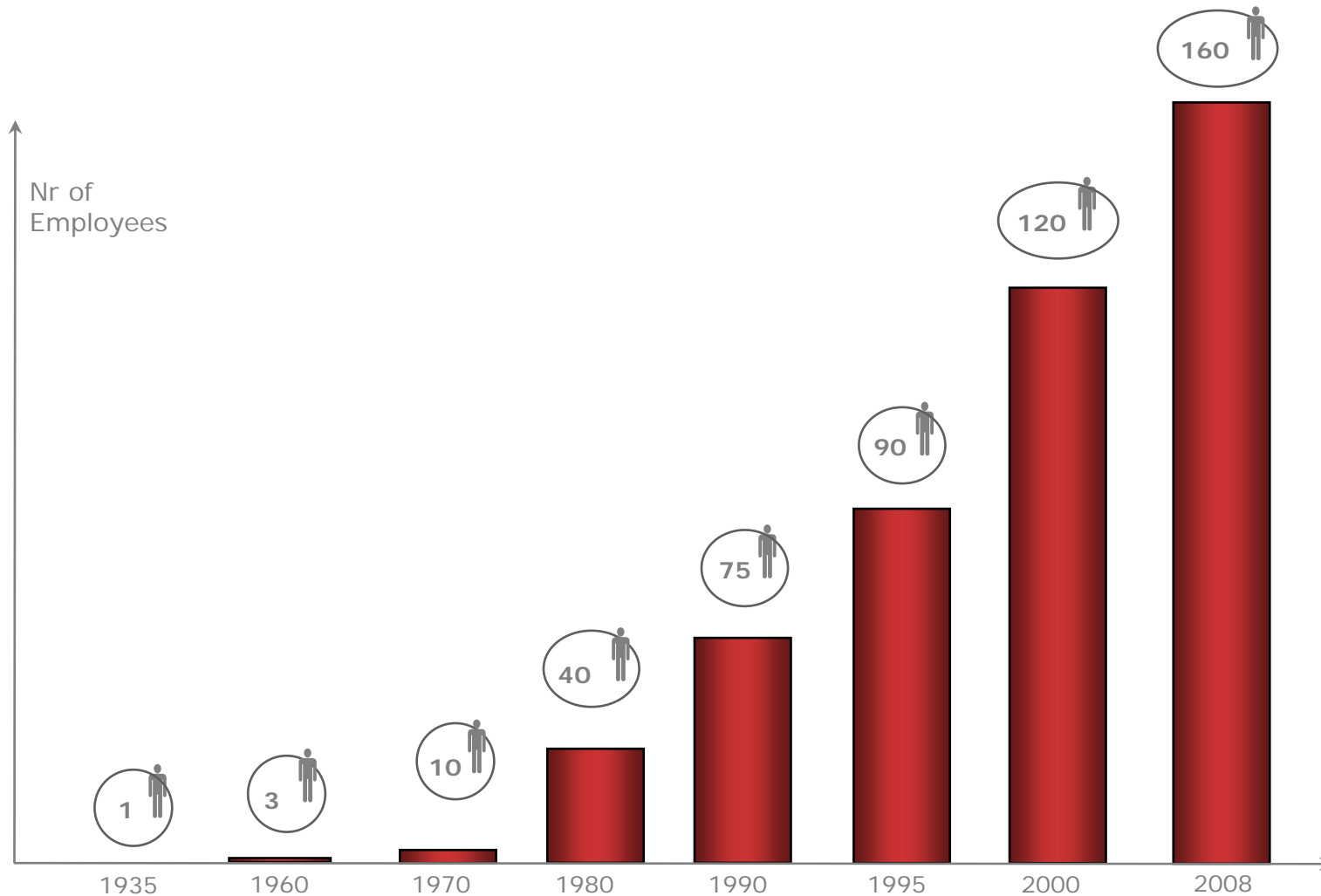
# IME Group



# IME Group - History

- ➔ **1962** the Company MESS was founded in Carate by Mr Renato Scarpa for the production of electro-mechanical components
- ➔ **1980** Founding of Cominox for the production of complete appliances as Cutters, Pasta machines, OEM Dishwashers
- ➔ **1984** the second generation, Simone Scarpa, joined the company and began to develop new products, starting the production of sterilizers
- ➔ **1987** opening of the steel production site in Mariano (IME Group is born)
- ➔ **1990** opening of the plant for Dishwashers production in Biassono
- ➔ **1998** IME entered in the sintered metal parts business
- ➔ **2008** Simone Scarpa gets in charge of the whole business as CEO of the IME Group building the new way for the future

# IME Group – the Growth



# IME Group - Today

- Annual turnover 28 ML Euro
- 160 employees in 5 production sites around Milano
- 3 people in the French Subsidiary
- Around 20 reps in the National & International Sales force
- More than 700 Distributors / Dealers / Customers
- Around 20.000 items are moved daily through the factories and more than 120.000 products are sold yearly

# IME Group - Plants

- IME Headquarter Biassono:
  - Management, Marketing, R&D, Sales
  - Dishwashers production



- COMINOX / MESS Headquarter Carate:
  - Local Management, Quality Assurance, Purchasing
  - Cominox factory, MESS factory



- IME steel factory Mariano



- IME SINTERIZZATI sintered parts factory Albate



# IME Group - Products

- ▶ IME Biassono
  - ▶ Dishwashers



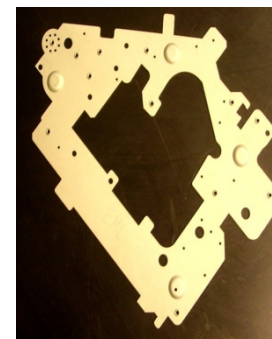
- ▶ COMINOX
  - ▶ Sterilizers



- ▶ MESS
  - ▶ electro-mechanical components



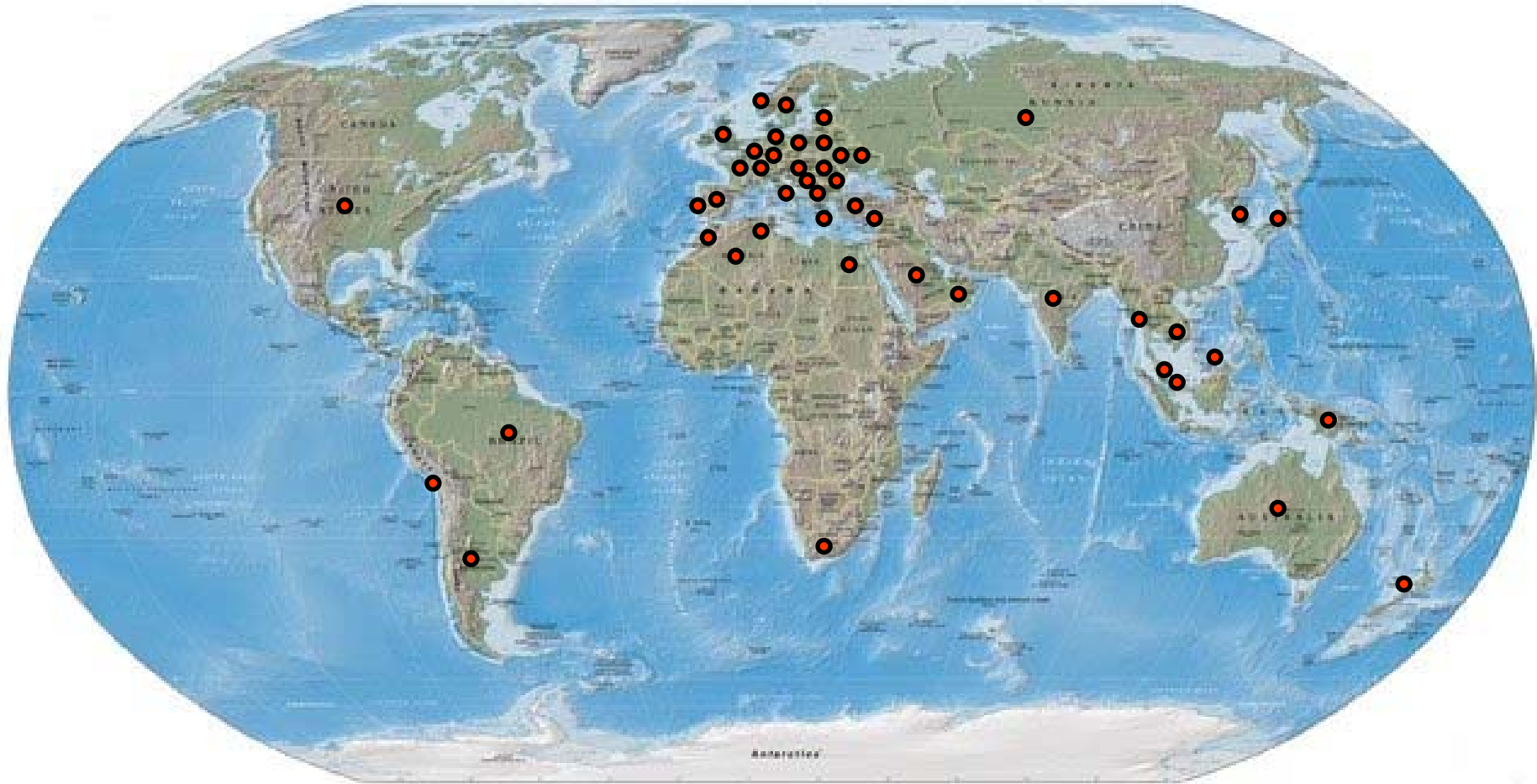
- ▶ IME Mariano
  - ▶ Stainless steel



- ▶ IME SINTERIZZATI
  - ▶ Sintered parts



# IME Group – in the world



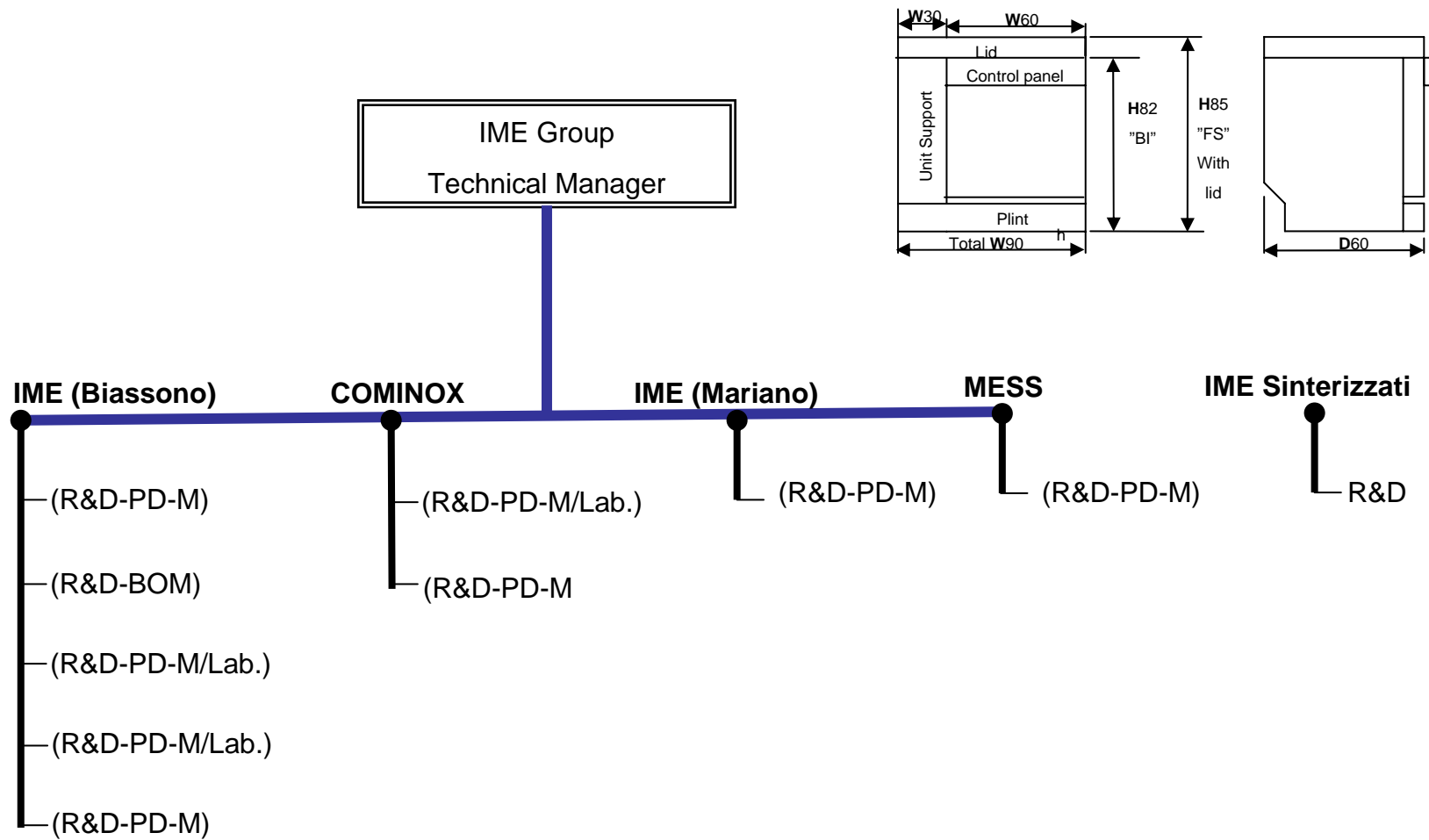
# IME Group – in Europe

- **One of European market leaders in Dishwashers production**
  - IME has at least 1 strong partner in all european countries
- **The strength of our distributors is always:**
  - knowledge of the business and good technical skills
  - reliability
  - maintenance & care service





# IME Group – R&D



# IME Group – QA

- ISO 9001 Company Quality System certification
- ISO 14001 Environment certification



Our Mission is to safeguard the manufacturer and consumer. To do this we give manufacturers the chance to regulate the quality of products sold on the market - and we give consumers the chance to find out if this quality can be found in the products they buy. Our mission is to create an "ethical" market, eliminating bad material and reducing waste caused by poor or unsuitable quality material. Our mission is to value quality and improve the competitiveness of companies, providing support and the stimulus for continual improvement to the production system and promoting free trade. Our key values are: moral uprightness, professional honesty, company loyalty, client impartiality, transparent conduct.

We see quality as the factor which gives the client added value and exceeds his/her expectations. It creates a strong, serious image and high degree of reliability. It helps to achieve continual improvement and greater recognition. It provides the chance to seize new opportunities and offer a useful service to benefit the entire community. It improves the quality of how people behave in their lives and at work.



**NSF International** is a Health and Safety Company (not-for-profit) which specialises in the specification and issue of Standards relating to all aspects of Public Health and Hygiene.

It also inspects and certifies compliance of equipment of all types and even complete public water treatment and supply systems. Based in USA, it now operates in many countries around the world.

[www.nsf.com](http://www.nsf.com) | **IME Certificate**



The **CE mark** is the European symbol of conformity and indicates that the product in question complies with all relevant E.U. safety legislation for example:

#### Regulations

EN 60335 – 2 – 58 : 2005 + A1:2006  
EN 60335 – 1 : 2002 + A1:2004 + A11:2004 + A12:2006 + A2:2006  
EN 50366 : 2003 + A1:2006  
EN 55014 – 1:2006  
EN 55014 – 2:1997 + A1:2001  
EN 61000 – 3 – 2:2006  
EN 61000 – 3 – 3:1995 + A1:2001 + A2:2005

#### Directives

LVD: 2006/95/EC  
EMC : 2004/108/EC



**UL** is a body concerned with all aspects of product and component safety, particularly electrical safety, and including all relevant aspects of the installation of such equipment. UL originated in America, and the majority of its operations are still in the North American market, where it is the most widely recognised certification body.

It issues its own UL Standards for a wide range of electrical products and components, and offers inspection and testing facilities leading to the issue of UL Certification for accepted products.

It also offers similar services to leading to Certificates of Compliance to other Standards such as the ISO range of safety Standards.

[www.ul.com](http://www.ul.com) | **IME Certificate**



Gost Certificate of conformity is a Russian Certification confirming the quality of the goods supplied and their compliance with the contractual terms.

[www.en.gost-r.info](http://www.en.gost-r.info) | **IME Certificate**



**Kiwa** is a National Certification Company specialising in the certification of water-using products. It is based in the UK and is accredited by the equivalent bodies in several other European countries.

Kiwa is able to issue Conformity Certificates for products that comply with the various European regulations or with the UK Regulator Specifications.

Kiwa Quality Services have been issuing approvals for compliance with these Regulations since 2001.

[www.1kiwa.com](http://www.1kiwa.com) | **IME Certificate 1** (page 104) | **IME Certificate 2** (page 116)